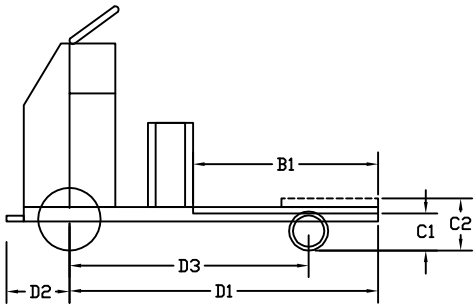
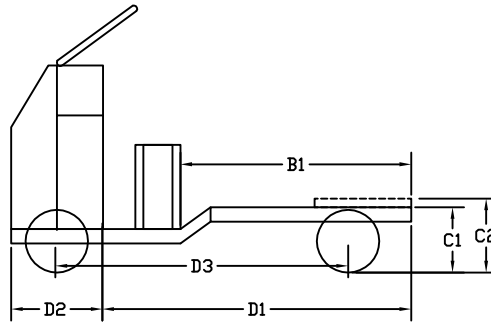


TRUCK DATA

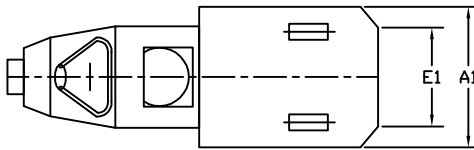
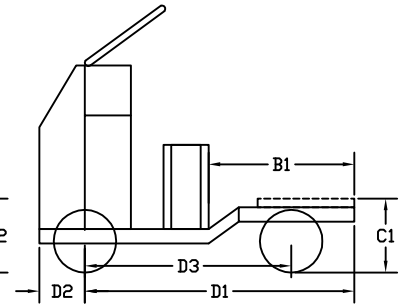
NORMAL PLATFORM



HIGH PLATFORM



TOWING



	NORMAL PLATFORM	HIGH PLATFORM	TOWING	
CAPACITY IN KG.	2000	2000 3000	2000	3000
MODEL	AENP	AEHP	AETW	
PLATFORM WIDTH A1	1000		1000	
PLAIN LENGTH B1	1525		750	
GRADEABILITY LADEN	1:15			
UNLADEN	1:8			
TYRES FRONT	460 X 125		460 X 125	
REAR	305 X 125		460 X 125	
FIXED C1	330	510	510	
PLATFORM LOWERED C1	330	510	-	
HIEGHT ELEVATED C2	440	620	-	
OUTER TURNING REDIOUS TR	2355		1810	
GROUND CLEARANCE	90			
OVERALL LENGTH D1	2975		2195	
FRONT OVERHANG D2	415			
WHEEL BASE D3	1980		1400	
WHEEL TRACK E1	840			
TRAVEL SPEED LADEN (km/hr)	7 TO 9	4 TO 6	7 TO 9	4 TO 6
UNLADEN	10 TO 12	6 TO 8	10 TO 12	6 TO 8
TRACKTION MOTOR	30V, 2.3 HP			
BATTERIES	30V, 200AH OR 300 AH			

CHASSIS :

Fabricated from rolled channel & plates.

DRIVE UNIT AND TRANSMISSION :

Traction motor is mounted above the drive wheel, drive to the wheels is transmitted through two stage chain reduction & final reduction by gear & pinion. The entire unit swivel on heavy duty self aligning bearing .

ELECTRICAL SYSTEM :

Control panel located below steering handle, consisitsof four heavy duty solenoid operated contactors with arc shield & magnetic blow outs for forward / reverse motion & cutting out two stage resistance bank. The complete electric circuit is protected by adequately rated fuses.

CONTROLS :

Controls for forward reverse motion, horn, light, emergency cut-off & key switch are mounted on dash board. Accelerator & mechanical brake is foot operated.

BRAKE :

The brake comprises of two internal expanding shoes mounted on rear axle, with parking brake facility.

OPTIONAL EXTRAS :

Chequered platform, manual or motorized elevation ,low voltage battery discharge alarm, front suspension, 1800 mm long platform & scissor type platform for all models. Hydraulic brakes & rear suspension for high platform models only. electronic controls for soft start & jerk free transmission provides the following advantages.

- 1) No wastage of battery power resulting in more work out put.
- 2) Lower maintenance cost & downtime of equipment.

ALL DIMENTIONS ARE IN MM FOR ELEVATING MODELS : THE OVERALL LENGTH WILL INCREASE BY 100 MM THE SPECIFICATION AND DIMENTIONS ARE SUBJECT TO CHANGE WITHOUT NOTICE AS WE CONSTANLY STRIVE TO IMPROVE THE PERFORMANCE OF OUR PRODUCTS.

MANUFACTURER :-



AMIT ENGINEERING
MATERIAL HANDLING BUSSINESS

1378, Pawar Vasti, Opp. Saraswati school, Chikhali, Pune - 412114 (India).

Telefax - +91-20-27491070. Cell - 9422506872.

E-mail - amitengineering@gmail.com / patilgovindgb@rediffmail.com